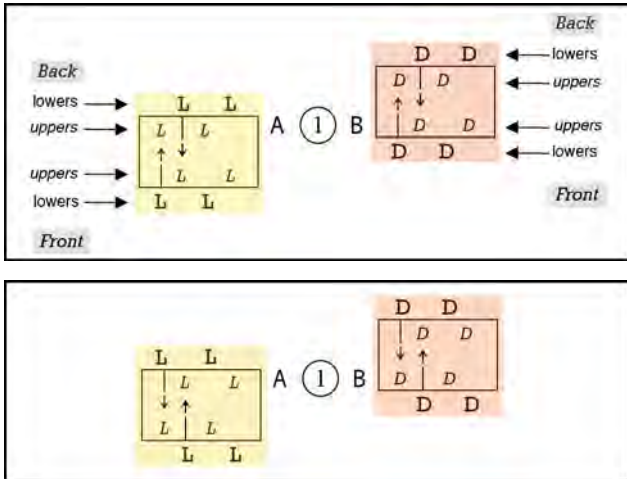


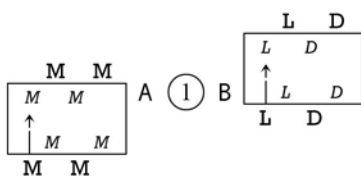
SLING BRAIDS WITH SPIRALS & VERTICAL STRIPES

While step-by-step instructions are useful for the first braid, a more concise way of indicating how these sling braids are worked is needed as they become more complicated. I have found that the diagrams that Adele Cahlander uses in her book to indicate which strands move when and in what direction work well for me and hope they will work for you too.

The diagram below has all the information needed for working a spiral 16-strand braid. The yellow square on the left has letters representing the strands with L (= light) for the lowers and L for the uppers. The letters are placed so that the lower strand to be moved first is on the far left. I have added arrows showing the direction of the first two moves, the next two are the same. The braid is then rotated and the orange strands (D = dark) are worked in the same way starting at the lower left. The direction of the spiral is changed by making the first move from the back instead of the front as in the lower diagram. The strands are still the same but their position in the diagram has changed to indicate which ones should be moved first.

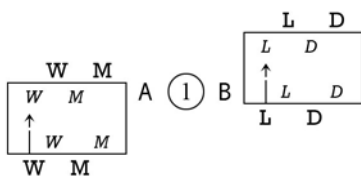


Diagrams for spiral braids with more than two colours



Left: diagram for braid worked with 3 colours

Right: The worked braid where red = M, L = yellow, D = dark blue



Left: diagram for braid worked with 4 colours

Far right: The worked braid where white = W, orange = M, L = fawn, D = brown



To change the direction of the spiral make the first move from the back as with the 2-colour braids.

An **8-strand spiral braid** made in a similar way can be used to make a loop either at the start or within a 16-strand braid. At the start of a braid the strands are secured near the middle with a slip knot, a suitable length is worked with 8 strands at one side of the knot, then the knot is untied, and the loop folded to bring all sixteen ends together to begin the 16-strand braid. For a loop within a braid the strands are divided and two 8-strand braids are worked separately before being rejoined.

Right: diagram for an 8-strand braid worked in 2 colours

Far right: Loops worked at the start and within a 16-strand braid

